

THE INFORMATION CONTAINED HEREIN IS CONSIDERED 'PROPRIETARY' TO BEL FUSE INC. AND SHALL NOT BE COPIED, REPRODUCED OR DISCLOSED WITHOUT THE WRITTEN APPROVAL OF BEL FUSE INC.

PRELIMINARY



ELECTRICAL CHARACTERISTICS @ 25°C

URNS RATIO

|     |               |
|-----|---------------|
| TP1 | 1CT : 1CT ±2% |
| TP2 | 1CT : 1CT ±2% |
| TP3 | 1CT : 1CT ±2% |
| TP4 | 1CT : 1CT ±2% |

OCL @ 100kHz/100mVRMS

8mA DC BIAS 350µH MIN.

DC RESISTANCE:

|                     |               |
|---------------------|---------------|
| (RJ1-RJ2);(RJ3-RJ6) | 1.2 ohms Max. |
| (RJ4-RJ5);(RJ7-RJ8) | 1.2 ohms Max. |

INS. LOSS

100KHz TO 100MHz -1.1 dB MAX

RET. LOSS (MIN)

|              |                       |
|--------------|-----------------------|
| 1MHz-30MHz   | -18 dB                |
| 30MHz-100MHz | -12+20LOG(f/80MHz) dB |

CROSS TALK:

|               |            |
|---------------|------------|
| 1MHz - 60MHz  | -35 dB MIN |
| 60Hz - 100MHz | -25 dB MIN |

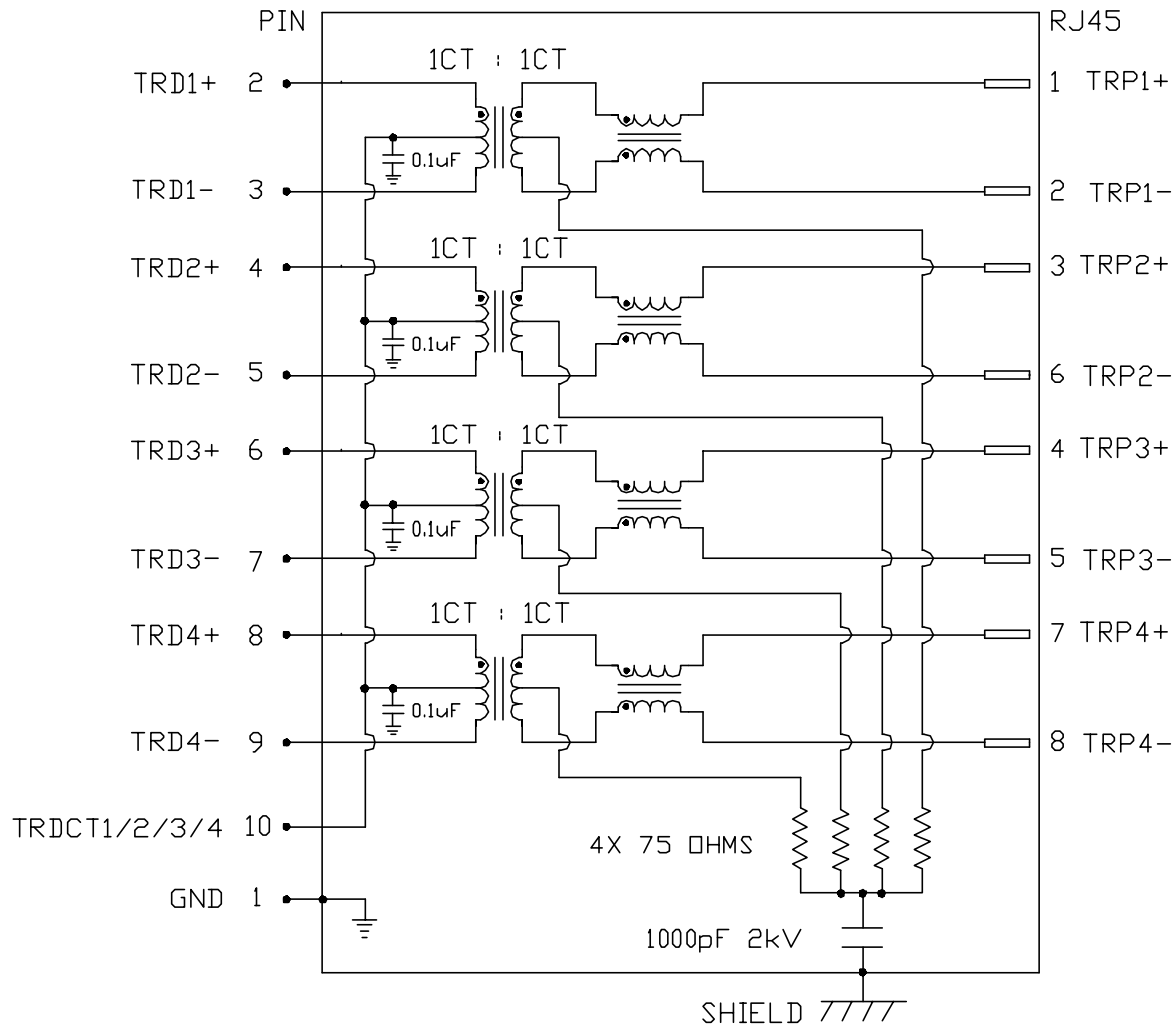
CM TO CM REJ

100kHz - 100MHz -35 dB MIN

HIPOT (Isolation Voltage):

1500 Vrms or 2250VDC

SCHEMATIC



|               |          |                  |
|---------------|----------|------------------|
| ORIGINATED BY | DATE     | TITLE            |
| CHUNG         | 05-18-06 | Gigabit MagJack® |
| DRAWN BY      | DATE     |                  |
| DE            | 05-18-06 |                  |

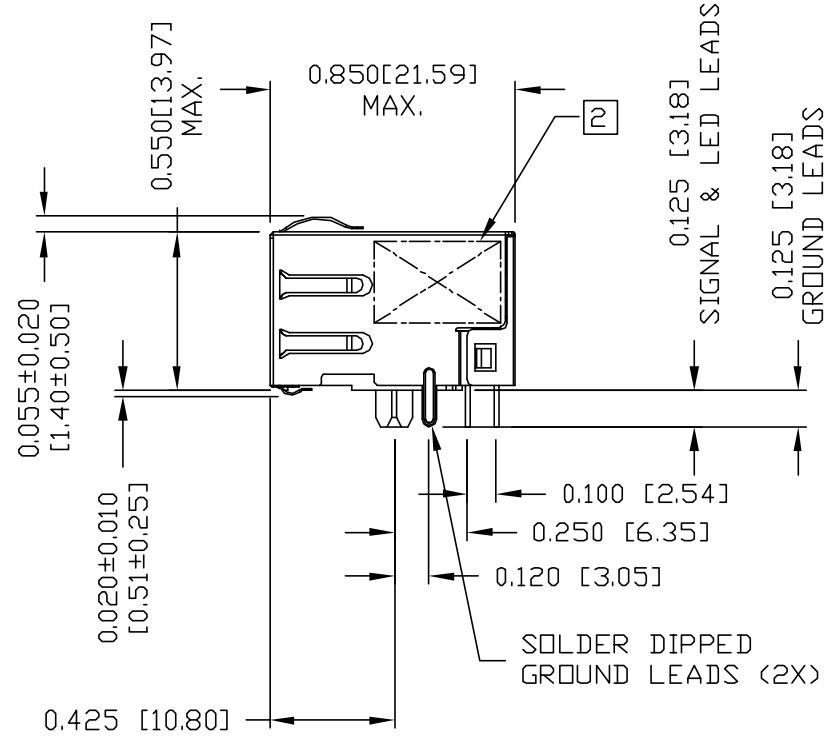
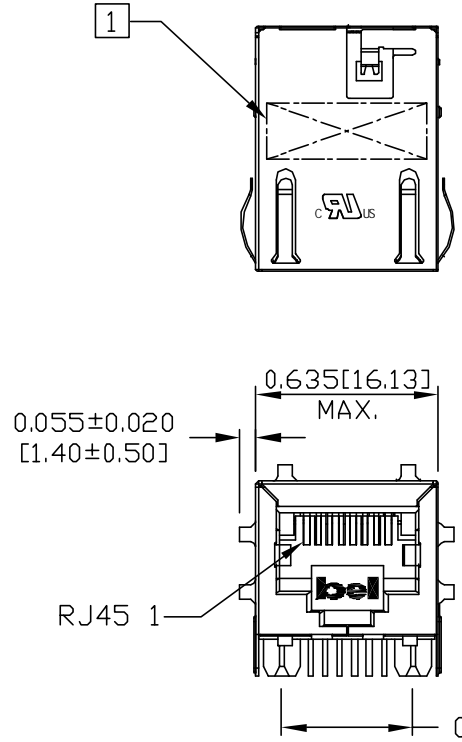
|                        |                |
|------------------------|----------------|
| PART NO. / DRAWING NO. | SI-61007-F     |
| FILE NAME              | SI61007FPA.DWG |

|               |                              |
|---------------|------------------------------|
| STANDARD DIM. | [ ] METRIC DIM. AS REFERENCE |
| TOL. IN INCH  | UNIT : INCH [mm]             |
| .X            | SCALE : N/A                  |
| .XX           | REV. : PA                    |
| .XXX          | SIZE : A4                    |
|               | PAGE : 2                     |



THE INFORMATION CONTAINED HEREIN IS CONSIDERED 'PROPRIETARY' TO BEL FUSE INC. AND SHALL NOT BE COPIED, REPRODUCED OR DISCLOSED WITHOUT THE WRITTEN APPROVAL OF BEL FUSE INC.

PRELIMINARY



**NOTES:**  
 PLASTIC HOUSING: THERMOPLASTIC PBT  
 FLAMMABILITY RATING UL 94V-0  
 CONTACTS PLATING: 50 MICRO-INCH HARD GOLD PLATING  
 PINS: TIN-COATED COPPER WIRE, DIA 0.018 INCH.  
 METAL SHIELD: NICKEL PLATED ON COPPER ALLOY.  
 (ALL GROUND LEADS ARE SOLDER DIPPED)

- 1 MARK PART WITH MFG PART NUMBER(SI-61007-F), DATE CODE.
- 2 MARK PART WITH MFG LOGO, MFG NAME.
- 3. RoHS COMPLIANCE, PER EU DIRECTIVE 2002/95/EC.

c us UL RECOGNIZED - FILE #E132408.

|               |          |                  |                        |               |                              |           |
|---------------|----------|------------------|------------------------|---------------|------------------------------|-----------|
| ORIGINATED BY | DATE     | TITLE            | PART NO. / DRAWING NO. | STANDARD DIM. | [ ] METRIC DIM. AS REFERENCE |           |
| BILL/KEUNG    | 05-18-06 | Gigabit MagJack® | SI-61007-F             | TOL. IN INCH  | UNIT : INCH [mm]             | REV. : PA |
| DRAWN BY      | DATE     |                  | FILE NAME              | .X            | SCALE : N/A                  | SIZE : A4 |
| WEIGH         | 05-18-06 |                  | SI61007FPA.DWG         | .XX           |                              | PAGE : 3  |
|               |          |                  | .XXX                   | ±0.010        |                              |           |



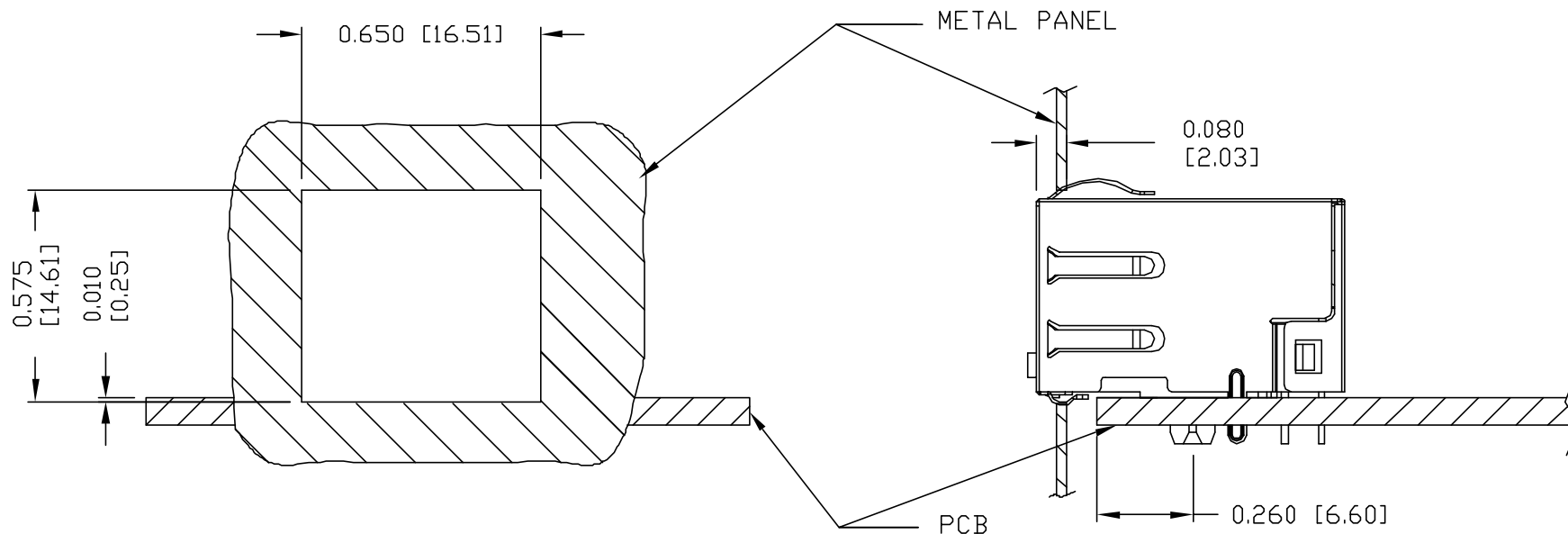


THE INFORMATION CONTAINED HEREIN IS CONSIDERED 'PROPRIETARY' TO BEL FUSE INC. AND SHALL NOT BE COPIED, REPRODUCED OR DISCLOSED WITHOUT THE WRITTEN APPROVAL OF BEL FUSE INC.

PRELIMINARY



SUGGESTED PANEL OPENING



NOTES:

THE DISTANCE OF PANEL INSIDE SURFACE RELATIVE TO FRONT SURFACE OF PART IS ONLY A SUGGESTION. IN CASE THIS DISTANCE IS DIFFERENT, THE REQUIRED PANEL OPENING DIMENSIONS CHANGE ACCORDINGLY.

PACKING INFORMATION

PACKING TRAY : 0200-9999-Q7 (TOP)  
0200-9999-Q8 (BOTTOM)

PACKING QUANTITY : 77 PCS FINISHED GOODS PER TRAY  
10 TRAYS (770 PCS FINISHED GOODS) PER CARTON BOX

NOTE : CARDBOARDS ARE PLACED BETWEEN LAYERS OF PACKING TRAY INSIDE CARTON BOX  
(INCLUDE THE UPPERMOST AND LOWERMOST TRAY)

| ORIGINATED BY | DATE     | TITLE            | PART NO. / DRAWING NO. | STANDARD DIM. TOL. IN INCH | [ ] METRIC DIM. AS REFERENCE   |
|---------------|----------|------------------|------------------------|----------------------------|--------------------------------|
| BILL/KEUNG    | 05-18-06 | Gigabit MagJack® | SI-61007-F             | .X                         | UNIT : INCH [mm] REV. : PA     |
| DRAWN BY      | DATE     |                  | FILE NAME              | .XX                        | SCALE : N/A SIZE : A4          |
| WEIGH         | 05-18-06 |                  | SI61007FPA.DWG         | .XXX ±0.005                | SCALE : N/A SIZE : A4 PAGE : 5 |

